



# MODEL C-RD-HC

## CEILING DAMPER ROUND

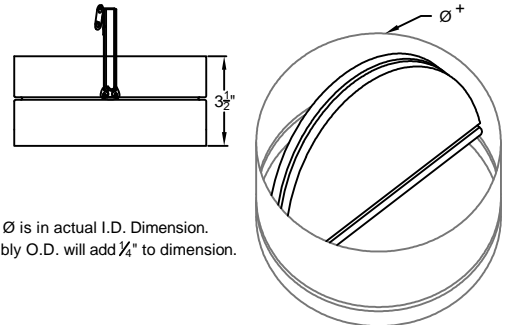
U.L. 555C CLASSIFIED ASSEMBLIES AND ULC S112.2 LISTED

Approved for 1 - Hour Rated

### Application and Design:

The Model C-RD-HC is a round UL Classified ceiling (radiation) damper, butterfly style, tested and specifically approved for specific UL ceiling designs listed below incorporating wood joist and gypsum construction. UL designs specifically approved for this damper are L501, L502, L503, L506, L507, L508, L512, L513, L514, L516, L517, L519, L522, L523, L533, L545, and ULC M500 Series designs. These dampers provide protection up to 15" diameter (380 mm) openings. Standard ceiling radiation designs approved to UL 555C standard are not acceptable to be used in designs mentioned above. Refer to UL Fire Resistance Directory for further details.

Note: Due to continuing research, UE reserves the right to change specifications without notice.



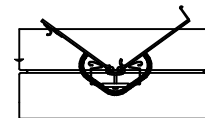
### STANDARD CONSTRUCTION:

**Frame:** Roll formed. - 22 Ga. Galvanized Steel

**Blades:** 22 Ga. - Galvanized Steel

**Spring:** Corrosion resistant steel spring

**Fusible Link:** Replaceable 212°F (100°C) standard/165°F (74°C) Available



C-RD-HC (A)  
with Adjustable Volume Controller  
(Minimum 6" Diameter)

Designed and tested in accordance to standards: UL 555C, ULC S112.2. Labeled and listed by UL/ULC under File #R27747. They meet all the NFPA-90A, IBC Code, and other major code requirements for Ceiling (Radiation) Dampers.

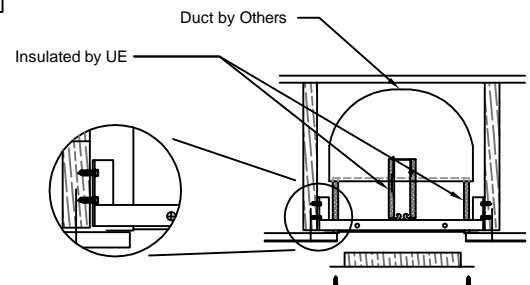
Standard Sizes (duct)		
Shape	**Min. Size	**Max. Size
Round C-RD-HC	5" Diameter (127 mm)	15" Diameter (380 mm)
Round C-RD-HC (A)	6" Diameter (152 mm)	15" Diameter (380 mm)

\*\*Dampers less than 110 sq. in. are shipped without insulation installed on damper. (Ø 11" Max. uninsulated)

Dampers greater than 110 sq. in. are shipped with insulation factory installed on blades and body.

### Options:

Volume Adjustment



### SUGGESTED SPECIFICATION

Ceiling dampers shall be models: C-RD-HC or C-RD-HC (A) by CVS. The dampers shall bear the UL label identifying them to be approved for use in a UL ceiling design LXXX. Dampers shall be listed in the UL Fire Resistance Directory as being approved for use in the submitted ceiling being installed. These ceiling dampers shall be installed per the manufacturer's installation instructions which were approved by Underwriter's Laboratories. Approved dampers from other agencies are not permitted for approval on a UL system. Standard ceiling radiation dampers approved for use in place of hinged door dampers are not acceptable.

### Manufacturer's Recommendations

All moving parts of the damper must be inspected and cycled once the first year and at intervals not greater than every 4 years or in accordance with the latest edition of NFPA 90A, 92A, local codes and the manufacturer. In addition, fuse links shall be removed and inspected for corrosion.

Job Name:	<input type="checkbox"/> <b>Model C-RD-HC</b>
Location:	
Architect:	
Engineer:	
Contractor:	